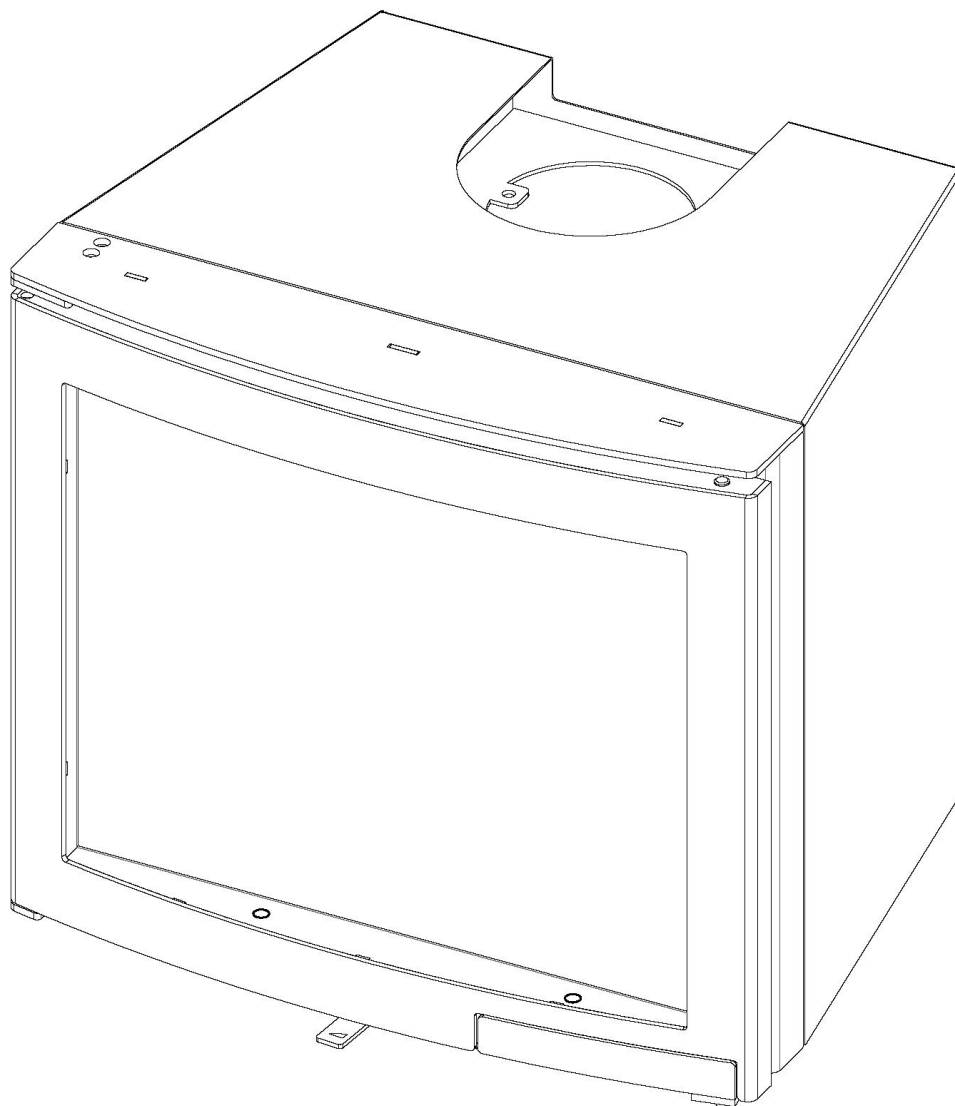


# SVEA FLAME | INSERTS EXCLUSIVE

Instructions for assembly and use



# SVEA FLAME | INSERTS EXCLUSIVE

## CONTENTS

### INDEX

Preparations.....page 3

- manufacturer declaration
- general
- delivery content
- chimney
- hearth
- baffle plate

Construction data.....page 4

- data
- optional/alternatives
- Air regulation

Instructions for use and heating advice.....page 5

- initiation
- fuel
- fuel refill
- good to know

Illustrations and sketches.....page 6-8

#### **ATTENTION!**

PLEASE NOTE THAT CERTAIN PARTS OF THE STOVE BECOME VERY HOT DURING HEATING. TAKE THE NECESSARY MEASURES IF CHILDREN ARE NEARBY.

MINIMUM DISTANCE TO COMBUSTIBLE DÉCOR IS 1000 MM FROM THE FRONT OF THE STOVE.

# SVEA FLAME | INSERTS EXCLUSIVE

## PREPARATIONS

### PREPARATION

Read the manual carefully before you using your cassette and don't forget that the installation must be approved by a chimney sweep first!

### MANUFACTURER DECLARATION

This product has been manufactured in accordance with the type approval documentation, of which the instructions for assembly, use and maintenance form are an intrinsic part.

### GENERAL

When the installation has been completed, it must always be inspected by a chimney sweep before the stove is used, irrespective of whether it is connected to a new or existing chimney. Read the installation instructions carefully before starting the installation.

### DELIVERY CONTENT

Make sure the following details are included in the delivery:

SVEA FLAME Exclusive cassette is delivered:  
Insert, vermiculite

### CHIMNEY

You will need a spigot which has  $\varnothing 149$  mm outside if you plan to install your SVEA FLAME cassette with pipes.

The fireplace and flue must be accessible for cleaning and inspection. The combustion chamber, ash pit and connection ducts can be cleaned with a common cleaning tool.

### HEARTH

The hearth has to be at least 300 mm in front of the hatch.

### VERMICULITE

The density of the vermiculite plates is  $900 \text{ mg/m}^3$

# SVEA FLAME | INSERTS EXCLUSIVE

## CONSTRUCTION DATA

### INFORMATION

Cassette exterior materials  
Combustion chamber materials  
Plane glass  
Hatch  
Fireplace

cold-rolled sheet, 1,5 mm  
cold-rolled sheet, 3 mm  
ceramic, 4 mm  
hot-rolled sheet, 4 mm  
vermiculite

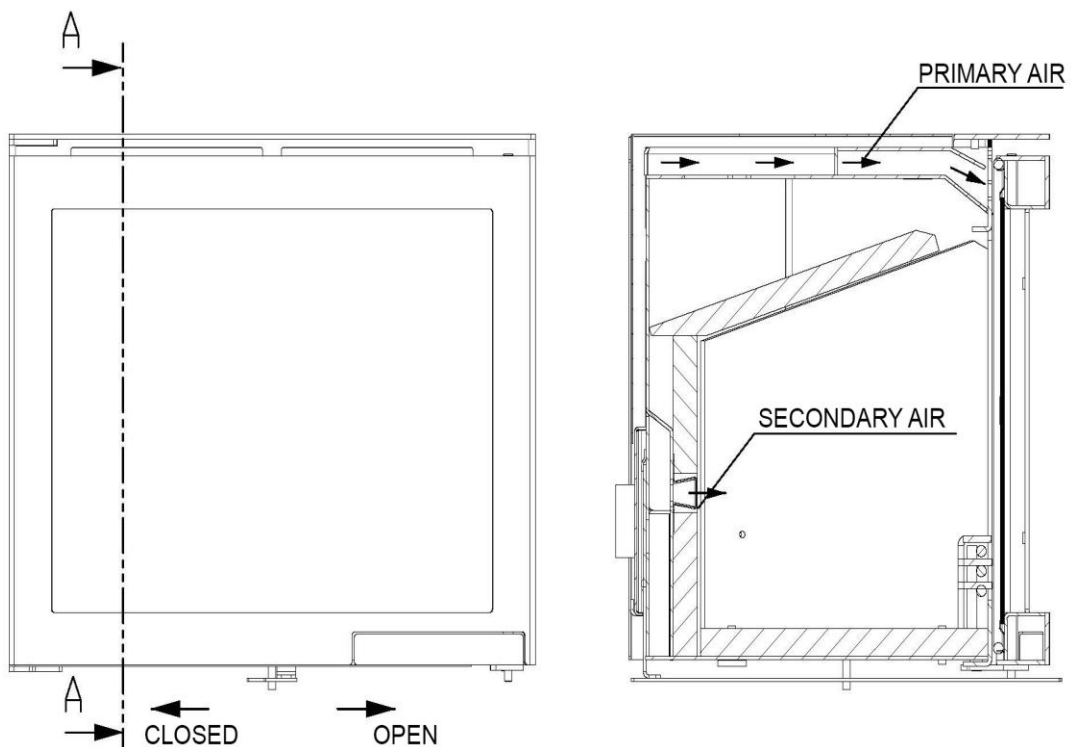
Approved for connection to a chimney with ½ stones wrap (350°C). The stove is designed for a chimney draft of at least 11 Pa which is achieved with a chimney length of 3,5 meters and a diameter of 150-200 cm<sup>2</sup> (ø150 mm).

### DATA

Efficiency in accordance to EN13329  
Weight  
Type approval documentation  
Spigot for pipe connection

up to 78%  
-  
utv. ø149 mm

### AIR REGULATION



# SVEA FLAME | INSERT EXCLUSIVE

## INSTRUCTIONS FOR USE AND HEATING ADVICE

### INITIATION

- Open the door and place the wood horizontally crosswise. Start with really dry sticks and use firelighters or crumpled newspaper to light with. Open the primary and secondary air regulation. Leave the door ajar for 10-15 minutes until the fire is burning properly. This will prevent soot covering and pre-heat the glass.

- Close the hatches when the fire is burning well. Continue adding more sticks on the fire until the smoldering bed (about 25-50 mm) is reached.

- Larger logs can thereafter be put in (50-80 mm in cross-section).

- It may be necessary to reduce the heat after the fire is burning properly. Make sure that you close the primary air regulation completely in that case

- The amount of combustion air and heat output depend on the type of wood that you use, moisture content, type of chimney and how good the draught is in it (length in relation to the negative pressure that the house has).

### FUEL

- The best heating value is achieved from chopped birch wood. It's important to mix different wood types if you are heating oak, beech or other wood types with a high calorific value. Otherwise you risk damaging your fireplace.

- The wood must be dry, about 20% moisture content, size 350 mm long. Apply about 2,5 kg of wood per hour during normal use. Please note that this stove is only meant for firewood. Alternative fuels are pellets.

- It is strongly forbidden to burn chipboard, impregnated, painted, glued wood, plastic or coated paper such as color brochures.

### FUEL REFILL

- Open the door slowly when adding more firewood in order to avoid smoke gusts.

- Level out the embers before adding new wood. The new fuel will ignite easier that way.

- Put on 2-3 logs and do not reduce the air supply until they have caught fire. Never fill the stove with wood as long as it's burning well.

### GOOD TO KNOW

- Bad draught can be caused by a cold or damp chimney and stove. Low pressure and damp weather can be another cause. Surrounding buildings and/or trees can also affect the draught negatively. Hilly terrain is also a factor that can affect.

- Keep the fireplace and the flue pipes clean and you will also need to sweep the chimney in the interval between visits by the chimney sweep if you're heating often.

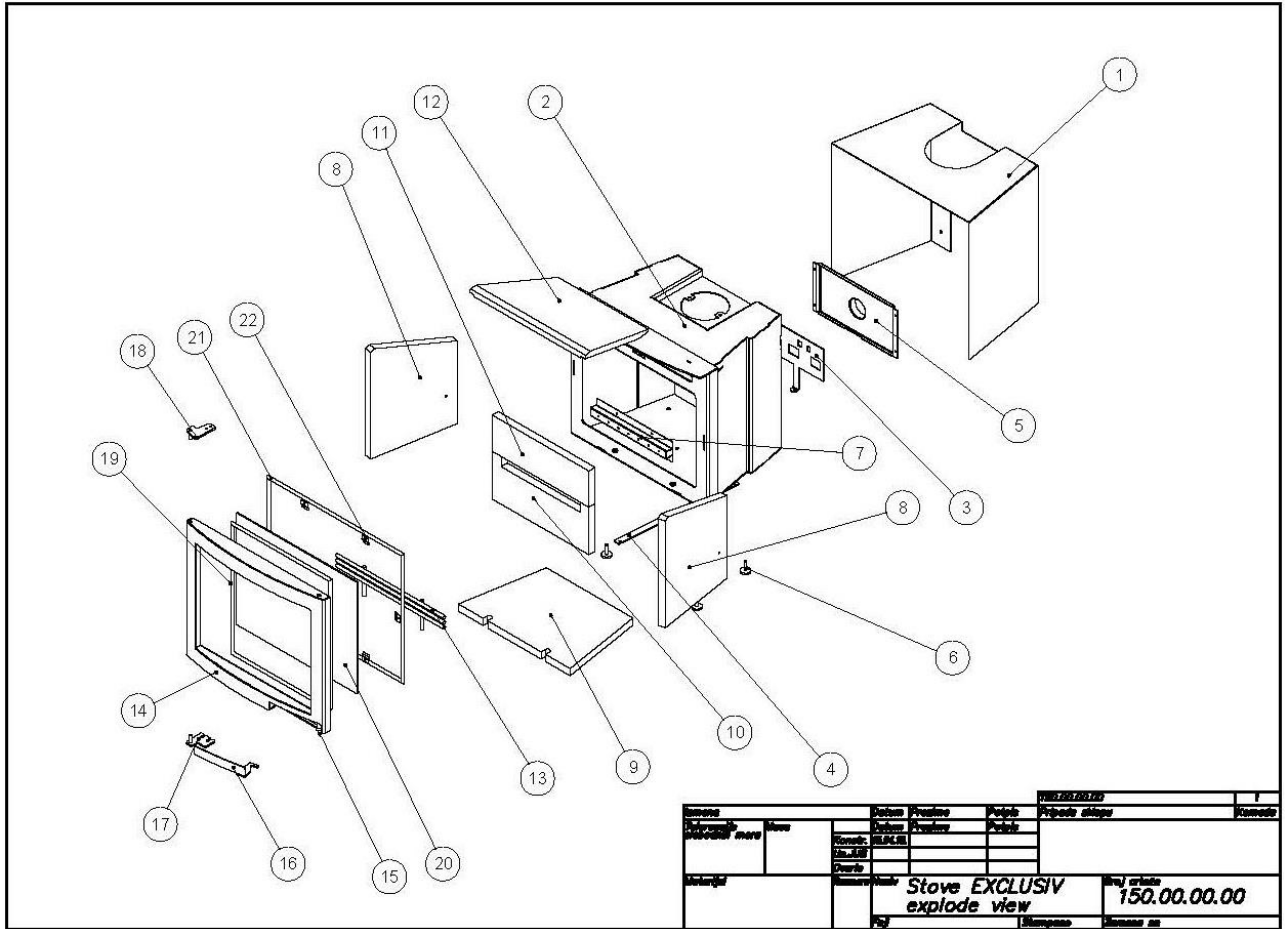
- Soot on the glass will often appear because the correct temperature has not been acquired in the combustion chamber. One reason for this could be damp wood. A bit of dry paper may be sufficient to clean the glass in certain cases. The soot may be removed with a cleaning agent if it has been on the glass for a longer period of time. You can also use the same cleaning agent as you do for your electric stove. Never use any cleaning agents that contain abrasive as it may damage the glass.

Make sure that there are no glowing embers when the ash tray is emptied. The ash can be stored in a fireproof container for at least one day prior to disposal.

- Remove the baffles in the cassette in order to better access the soot that is at the top of the cassette when sweeping the chimney. Sweep and clean the two heat channels on a regular basis. Soot isolates and reduces the effect.

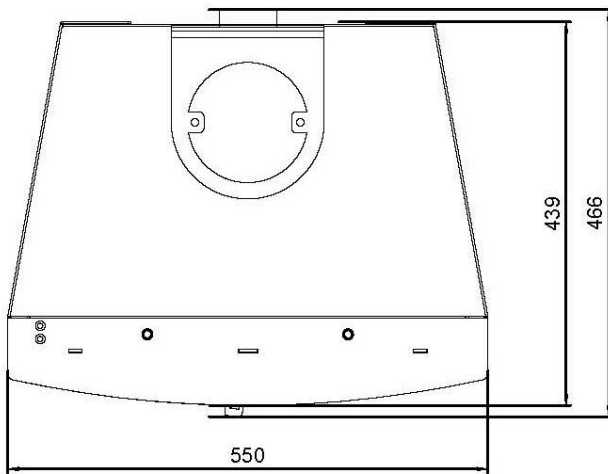
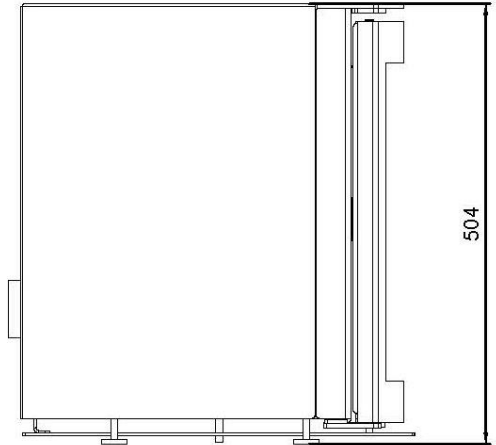
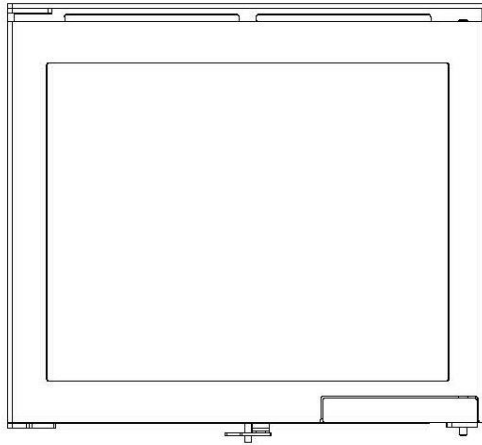
- The combustion air damper and hatch should be closed if a chimney fire occurs or is anticipated. Contact the fire brigade to extinguish the fire if necessary. The chimney should always be inspected by a chimney sweep after a chimney fire.

# SVEA FLAME | INSERT EXCLUSIVE EXPLODED VIEW DRAWINGS



22	Holder glass	6	DC01-A EN10130 1,5 mm
21	Braid door	1	DC01-A EN10130 5 mm
20	Heat resistant glass	1	Glass 4 mm
19	Braid glass	1	
18	Top hinge	1	DC01-A EN10130 5 mm
17	Bottom hinge	1	DC01-A EN10130 5 mm
16	Door handle	1	DC01-A EN10130 3 mm
15	Bar locking	1	
14	Sub-assembly door	1	DC01-A EN10130 3 mm
13	Decorative grille	1	
12	Top vermiculite	1	Vermiculite 750
11	Rear upper vermiculite	1	Vermiculite 750
10	Rear lower vermiculite	1	Vermiculite 750
9	Bottom vermiculite	1	Vermiculite 750
8	Side vermiculite	2	Vermiculite 750
7	Chamber air supply	1	DC01-A EN10130 3 mm
6	Foot	4	DC01-A EN10130 3 mm
5	Cover air regulator	1	DC01-A EN10130 3 mm
4	Handle air regulator	1	DC01-A EN10130 3 mm
3	Air regulator	1	DC01-A EN10130 3 mm
2	Assembly fireplace insert	1	DC01-A EN10130 3 mm
1	Formwork	1	DC01-A EN10130 1,5 mm
Poz. Naziv		Br. crteza	Kom. Standard/Materijal
Imena		15.12.2019	
Naziv		Stove	
Prezime		Stove	
Ime		Stove	
Pozicija		Stove	
Priroda		Stove	
Komentar		150.00.00.00	
Stove		15.12.2019	
Stove		15.12.2019	
Stove		15.12.2019	

# SVEA FLAME | INSERT EXCLUSIVE DRAWINGS



TISA KONSTRUKTION HB  
Lustigkullevägen 12A  
591 47 Motala  
SWEDEN  
[www.sveaflame.se](http://www.sveaflame.se)